



international polymer solutions

# Diverter Valve



**IPS Diverter Valve (DVTR)** is designed to pneumatically actuate and divert fluid flow from one flow path to a second. Our DVTR Valve functions as a shuttle valve to divert DI Water or Hazardous Chemicals to a separate drain or reclaim flow path. The large orifice flow path of the DVTR Valve allows for rapid dumping of reservoirs and tanks. The PTFE Coated Spring is isolated from the fluid media.

- Corrosion Resistant
- Maximum Flow
- Minimum Restriction



Choose:

### Valve Material

- PVC
- Polypropylene
- PVDF (Polyvinylidene Fluoride)

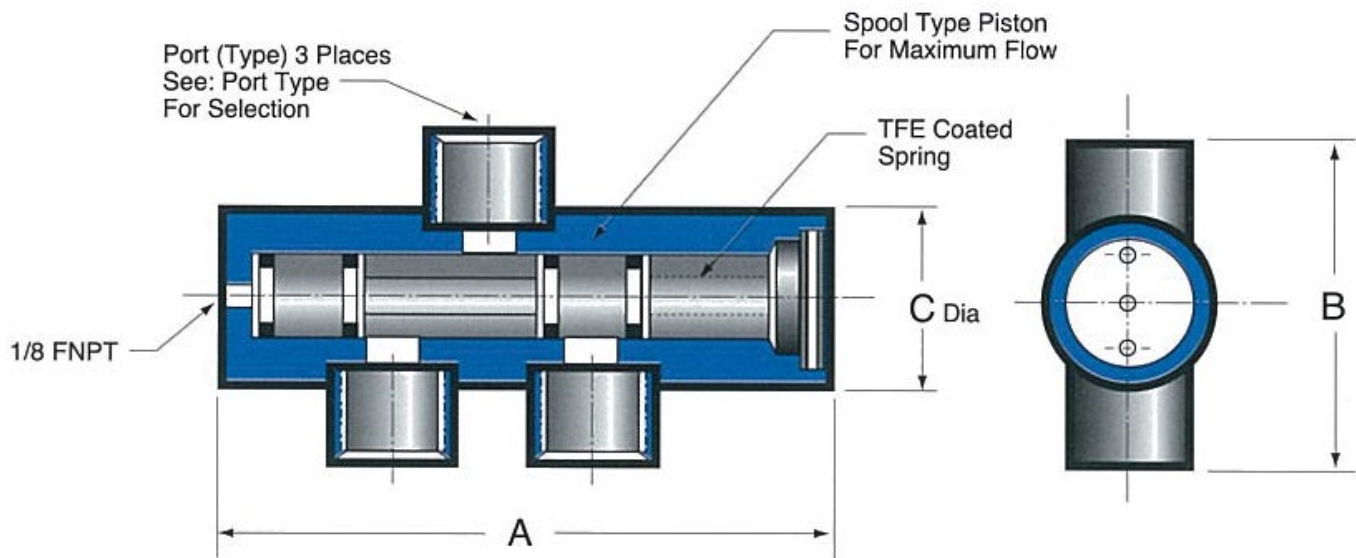
### O-ring material

- Viton
- Ethylene Propylene
- Kalrez FFKM equiv.

DVTR valves are available with Socket Ends (ideal for welding) or FNPT ends.

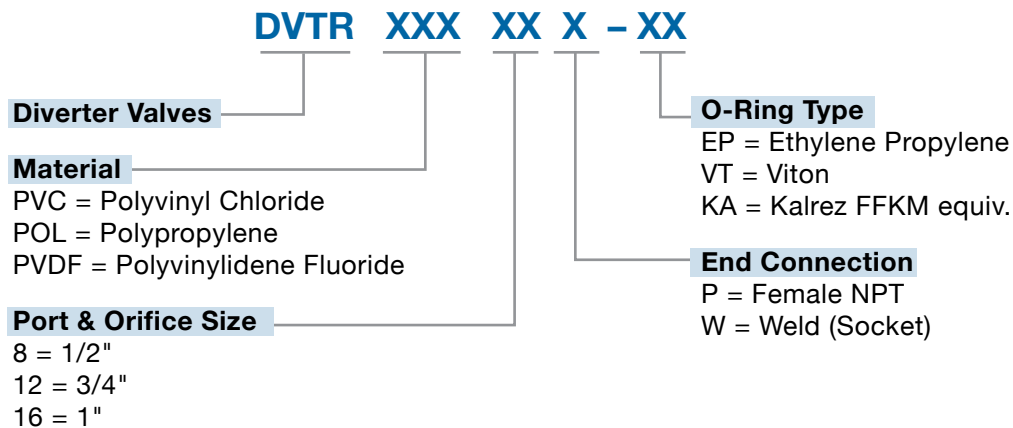
### Specifications:

<b>Air Actuation Pressure</b>		40 - 60 psi
<b>Media Pressure</b>		10 - 70 psi
<b>Temperature Rating</b>	PVC	40°C
	Polypropylene	50°C
	PVDF	120°C



PORT & ORIFICE Nominal Dim (inch)	A Dimension (inch)	B Dimension (inch)	C Dia Dimension (inch)	Socket Weld Option "W" (inch)
1/2	7.1	3.3	2.0	0.840 (sch 80)
3/4	7.1	3.3	2.0	1.050 (sch 80)
1	7.1	4.0	2.0	1.315 (sch 80)

## Diverter Valve: ORDERING FORMAT



### IPS Product Notes:

1. Please email Customer Service at [info@ipolymer.com](mailto:info@ipolymer.com)
2. Call us for special applications. We can manufacture our Valves with special mounting and interface dimensions.
3. Upon request, alternate material selection from those listed will allow for expanding temperature ratings or other performance characteristics.
4. Unauthorized disassembly of this product will void the original factory one-year product warranty. For further details please contact your local Distributor or our factory directly.

130528

international polymer solutions inc. • manufacturer of high purity flow control products  
5 Studebaker • Irvine, CA 92618 • t: 949.458.3731 • f: 949.458.2787